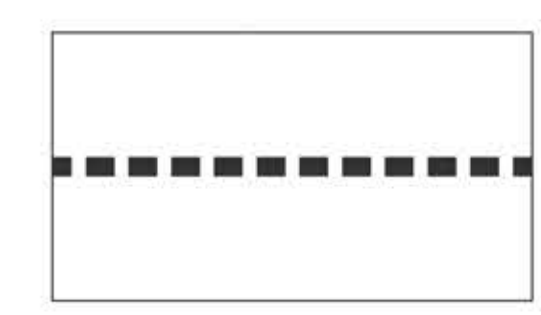
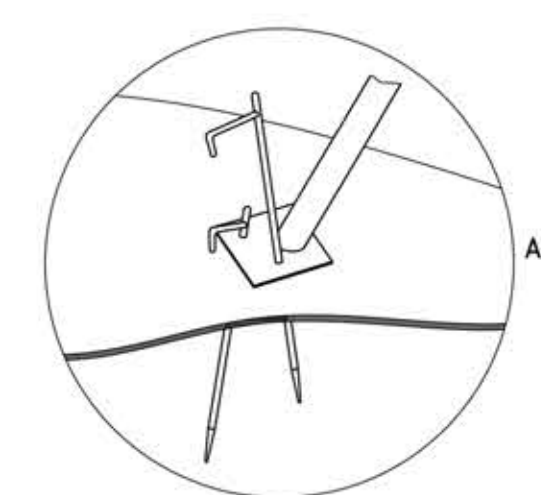


TREE ROOT PROTECTION AREA

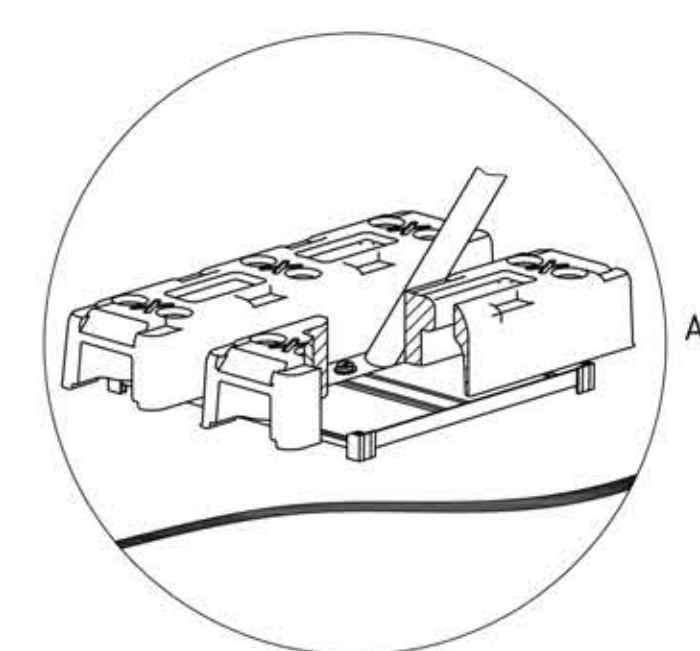
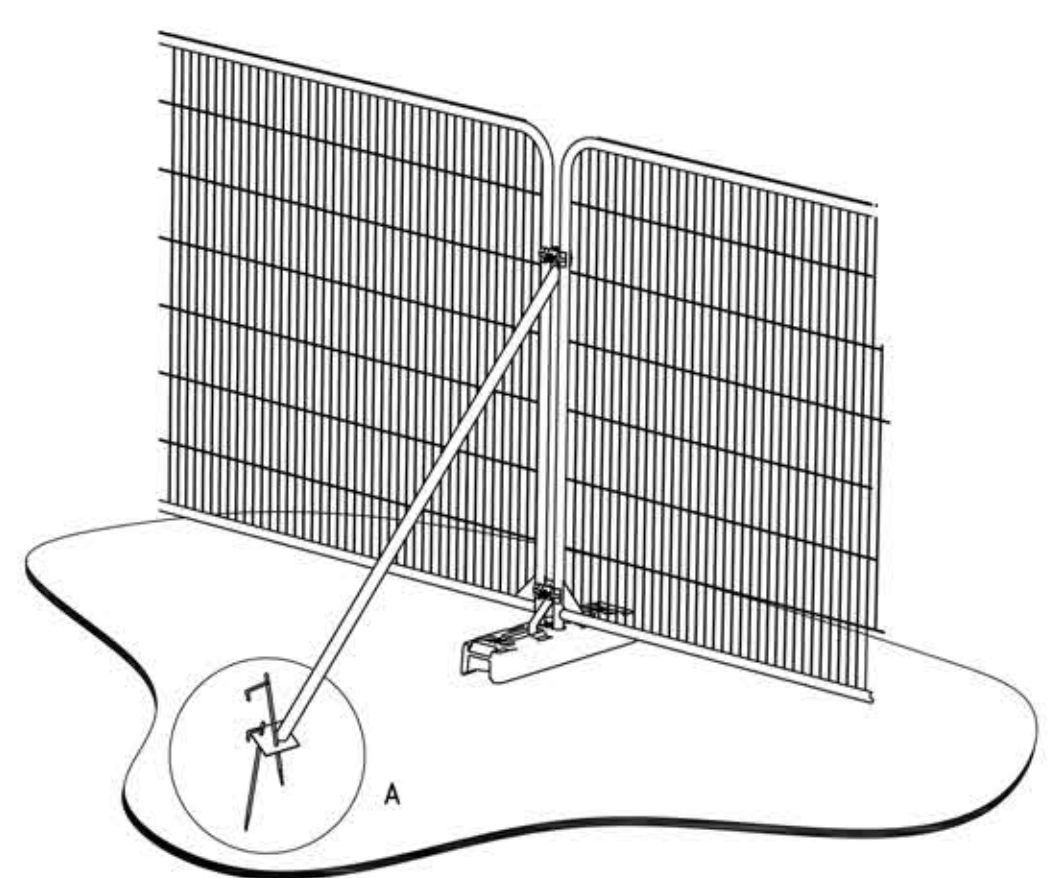


DENOTES TREE PROTECTION BARRIER IN ACCORDANCE WITH BS5837, 2012

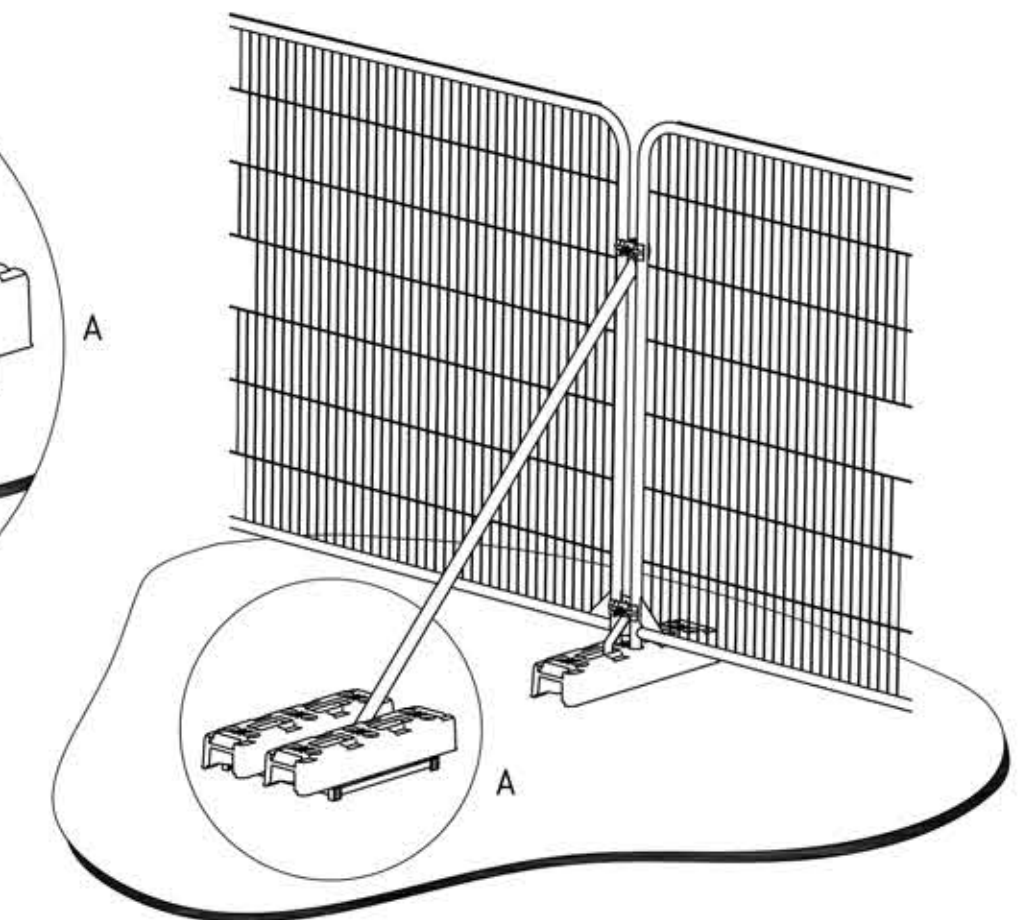
Proposed fencing to be erected in accordance with this drawing. To provide protection to existing vegetation and tree root structure throughout construction operations. Fence will be 2m high - fixed by pin to ground where conditions are soft - ie into soil and fixed by using block tray where hard surfaces prevent pins being driven into ground.



a) Stabilizer strut with base plate secured with ground pins



b) Stabilizer strut mounted on block tray



Client: Deborah Marshall & Paul De'Ath
Job: 5B Hope Terrace

Title: Landscape Plan and root protection.

Scale: 1:100 @ A1
Date: 23.7.2018

Job No: 599
Dwg No: P12
Rev:

graymacpherson architects LLP

Tigh-na-Geat House, Damhead Farm, Lothianburn, Edinburgh EH10 7DZ

tel: 0131 445 2223
fax: 0131 445 7377

PROPOSED LANDSCAPE PLAN